



# Dolphin Yachts

INTERNATIONAL YACHT BROKERS

Dolphin Yachts S.L.

Club de Mar

07015 Palma de Mallorca

Spain

info@dolphin-yachts.com

---



## Boston Whaler 345 Conquest

<b>Builder:</b>	Boston Whaler	<b>LOA:</b>	10.94m (35'9")
<b>Model:</b>	345 Conquest	<b>Beam:</b>	3.56m (11'7")
<b>Year:</b>	2008	<b>Draft:</b>	0.56m (1'8")
<b>Construction:</b>	GRP	<b>Fuel:</b>	1.594 Litres
<b>Accommodation:</b>	4 berths in 1 cabins	<b>Water:</b>	170 Litres
<b>Designer:</b>	Builder	<b>Engines:</b>	3 x 300hp Mercury
<b>Displacement:</b>	6441 kg		

190.000 € EU VAT paid



**ENGINE:**

3 x 300hp Mercury

Engine Hours: 950 aprox.

**CAPACITIES:**

Fuel: 1594 Litres

Water: 170 Litres

**MECHANICAL EQUIPMENT:**

Generator

Bow thruster

Electric bilge pump

Manual bilge pump

Battery charger

**ACCOMMODATION:**

Berths: 4

Cabins: 1

Head: 1

Crew Berths: 0

Crew Cabins: 0

Plush queen size berth forward

**ACCOMMODATION EQUIPMENT:**

Air conditioning

Hot water

Electric toilet

Fridge

**NAVIGATION:**

Raymarine equipment

Depth sounder

Plotter

Autopilot

Compass

GPS

VHF

Radar

**DECK:**

Gangway

Swimming ladder

Cockpit shower

Bimini Top

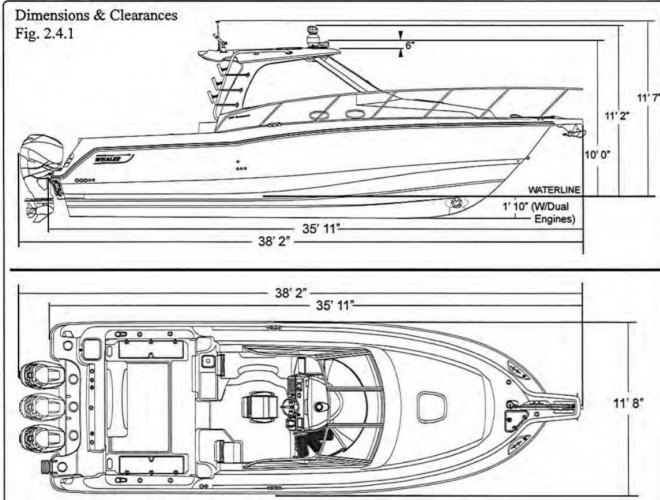
Cockpit cover

**BROKERS COMMENTS:**

This Boston Whaler 345 conquest has the perfect balance between security, high performance, luxury, confort and fishing capabilities

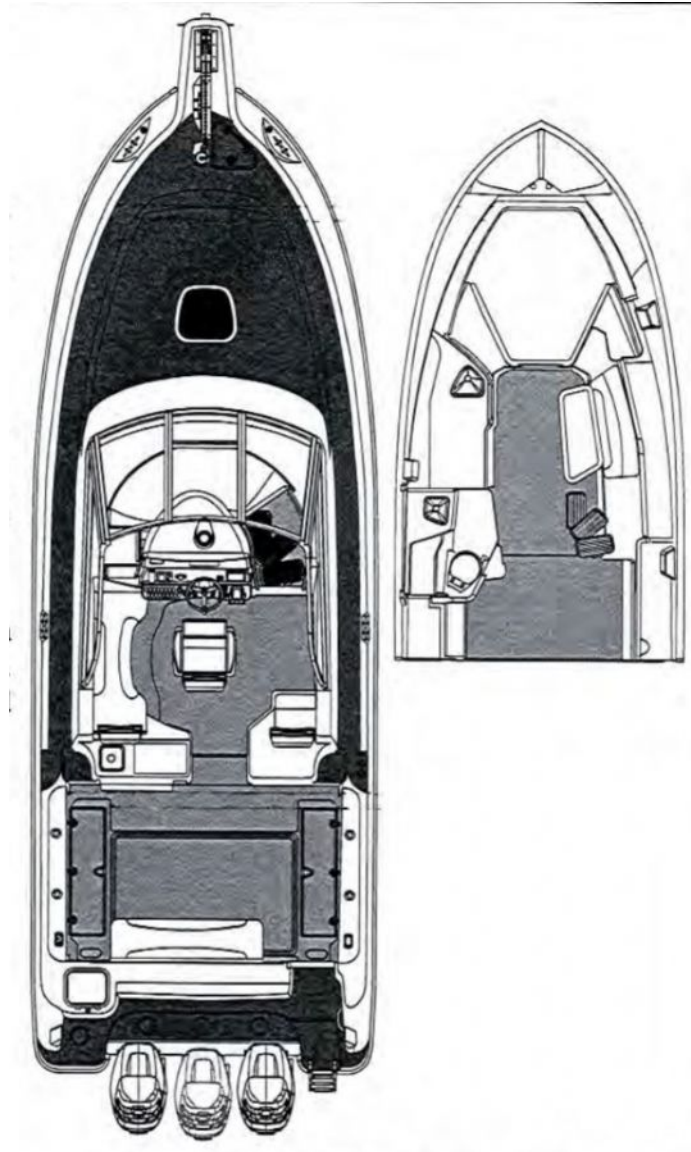
**LYING:**

Spain





## Layout Plans



The particulars presented in this brochure are based on information provided by the sellers and are believed to be correct, although we cannot be liable for any inaccuracy. A prospective buyer is strongly advised to check these particulars and where appropriate and at his own expense to employ a qualified marine surveyor and / or have an engine trial conducted which if conducted by us shall not imply any liability on our part.